

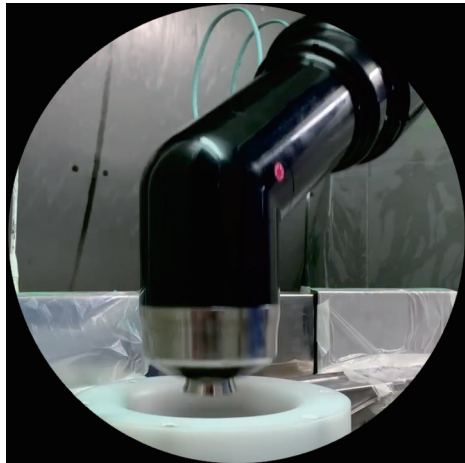
Reduce the labor intensity of cleaning spray nozzles

Collect VOC emissions and reduce environmental pollution

Short cleaning time and low solvent consumption

Patents in China and Taiwan

Increase coating line yield rate!



Cleaning Machines —

Essential for coating line quality and efficiency.

- Dust, particle residue, dirty spray gun air caps/shrouds, and electrostatic leakage are key causes of coating defects and production waste.
- In modern automotive, motorcycle, and bicycle coating lines, robotic electrostatic bell gun and spray systems are widely used for high-efficiency mass production. Traditional manual cleaning requires line stoppage and component disassembly, resulting in long downtime, lower productivity, possible damage to precision parts, and unstable coating quality. Automatic bell gun and spray gun cleaning machine effectively improve cleaning efficiency, reduce solvent usage and labor intensity, and ensure stable coating quality and production performance.
- No manual intervention required for fast and precise cleaning of critical components, reducing the risk of human damage and eliminating solvent safety hazards. It ensures stable coating quality, improves production efficiency, lowers costs, and supports large-scale, high-quality coating operations.

Cleaning performance comparison



Before Cleaning



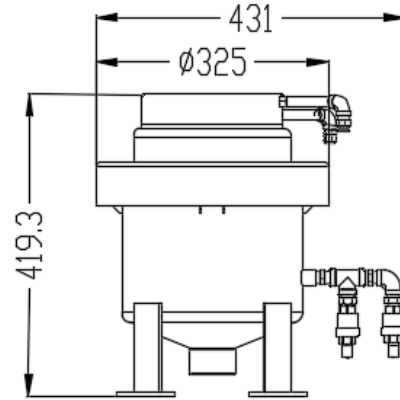
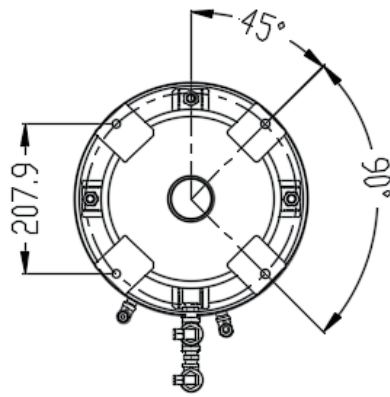
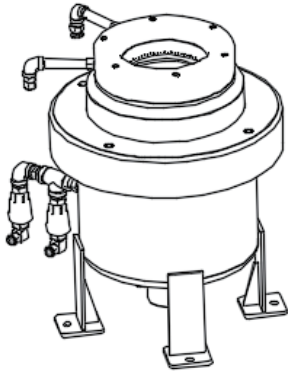
After Cleaning & Drying

Model	BC20
Working principle	Spray clean and Air blow drying
Material	Stainless steel
Air interface	7.5*10
Solvent interface	7.5*10
Air pressure Req.	0.6Mpa
Air consumption	500 NL/min, activated 1 sec/time × 5 cycles
Solvent pressure Req.	0.6 Mpa (coarse filtration)
Solvent consumption	800 NL/min, activated 1 sec/time × 5 cycles
Installation method	Drain to sewer / Barrel collection
land area	L500xW500
Weight	15Kg (drain to sewer)

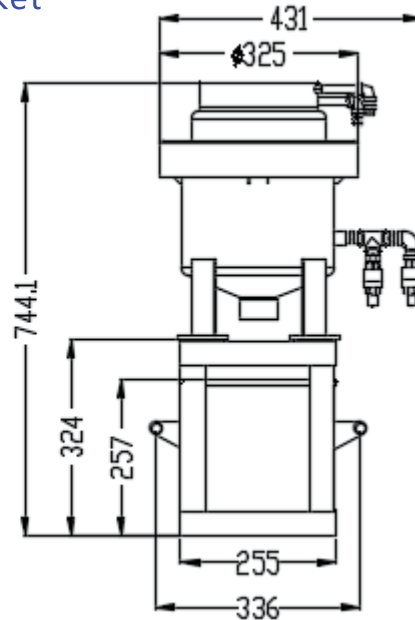
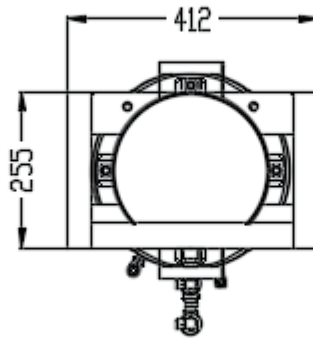
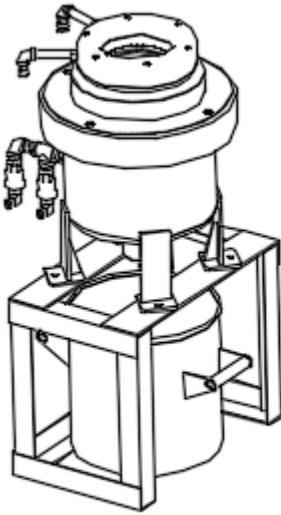


Installation size

1. Standard type (Drain to sewer)





2. Standard type + drain barrel + installation bracket



Feature

- Easy to install and maintain
- Compatible with water-based and solvent-based paints
- Suitable for spray guns or bell atomizers
- Direct or indirect charge, requires individual confirmation
- Able operate with or without a waste solvent recovery system
- Made of stainless steel, electrolytically polished
- Sturdy aluminum metal framework
- Equipped with fixed solvent nozzles
- Centralized collection of waste liquids, no environmental pollution
- Cleaning and air blow drying completed in one cycle

Application

-  Automotive industry
-  Motorcycle industry
-  Bicycle industry
-  Woodworking industry
-  IT industry

